

Titanium instruments and implants for surgery



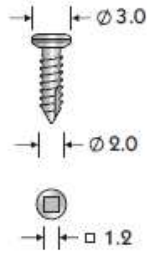
CONMET

Compression distraction devices

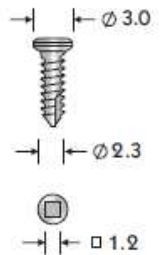


Bone screws

Cat. N	Diameter, mm	Length, mm
01.00	2.0	5.5
01.01	2.0	7
01.02	2.0	9
01.03	2.0	11



Cat. N	Diameter, mm	Length, mm
Emergency		
02.00	2.3	7
02.01	2.3	9



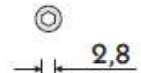
Instruments

19.02



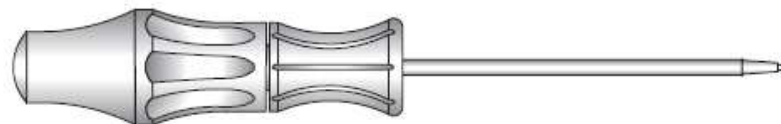
Drill \varnothing 1,6 mm, 70/18 mm
(stainless steel)

801.00



Socket wrench 2,8 mm for distraction, length 150 mm
(Titanium alloy)

21.00



Screwdriver with rotatable handle, length 180 mm
(titanium handle, blade TiN)

20.00

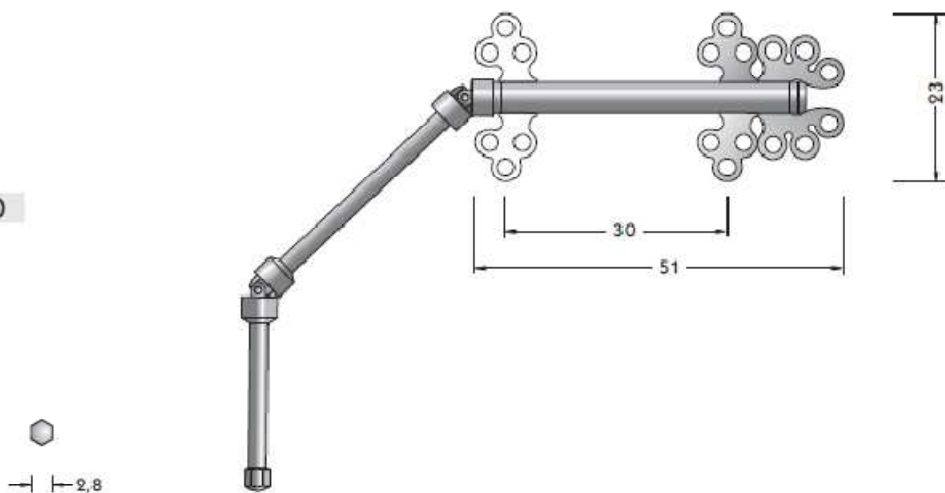


Screwdriver, length 170 mm
(Novotex handle, blade TiN)

Distraction devices for mandibular ramus

M1:1

821.00

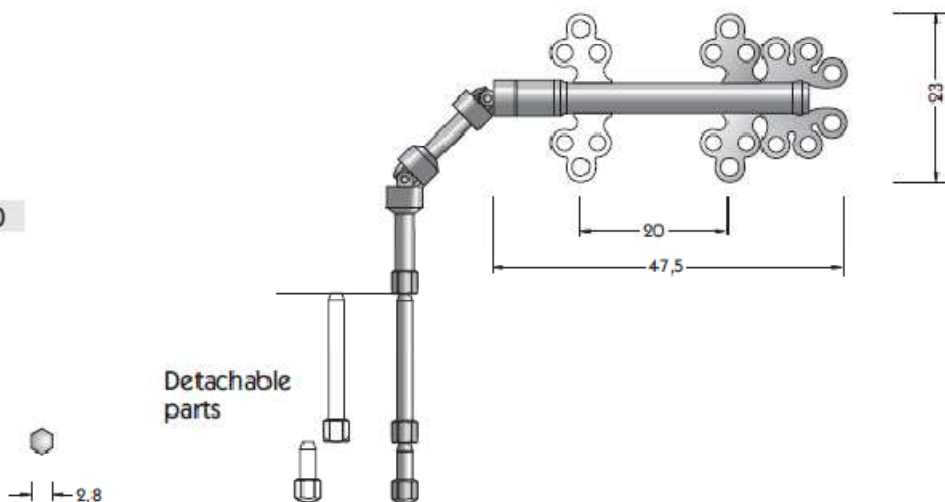


Distraction up to 30 mm

Distraction device (small-sized) for mandibular ramus

M1:1

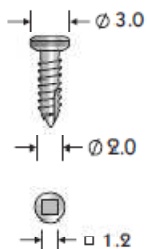
820.00



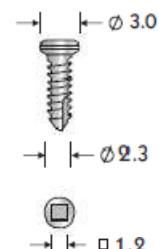
Distraction up to 20 mm

Bone screws

Cat. N	Diameter, mm	Length, mm
01.00	2.0	5.5
01.01	2.0	7
01.02	2.0	9
01.03	2.0	11



Cat. N	Diameter, mm	Length, mm
Emergency		
02.00	2.3	7
02.01	2.3	9

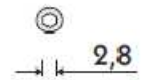


19.02



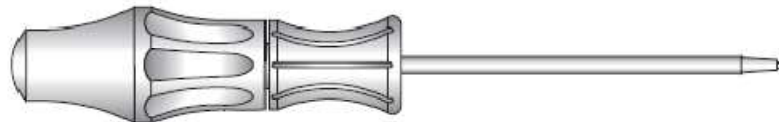
Drill Ø 1,6 mm, 70/18 mm
(stainless steel)

802.00



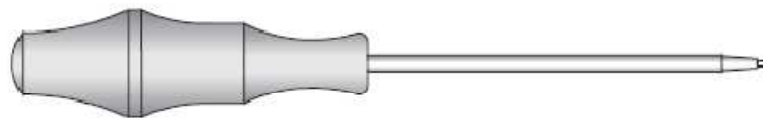
Socket wrench (short) 2,8 mm
for distraction, length 115 mm
(Titanium alloy)

21.00



Screwdriver with rotatable handle, length 180 mm
(titanium handle, blade TiN)

20.00

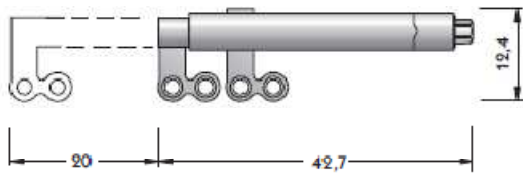


Screwdriver, length 170 mm
(Novotex handle, blade TiN)

Intraoral mandibular distraction devices

For body of mandibula

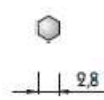
M1:1



814.00

For right side

Distraction up to 20 mm



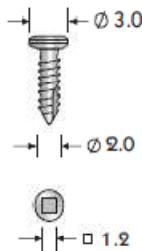
814.01

For left side

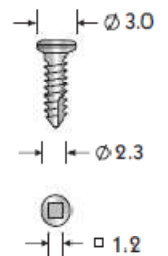
Distraction up to 20 mm

Bone screws

Cat. N	Diameter, mm	Length, mm
01.00	2.0	5.5
01.01	2.0	7
01.02	2.0	9
01.03	2.0	11

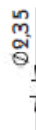


Cat. N	Diameter, mm	Length, mm
Emergency		
02.00	2.3	7
02.01	2.3	9



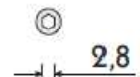
Instruments

19.02



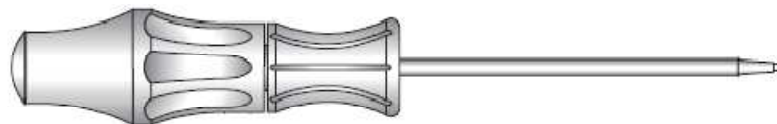
Drill \varnothing 1,6 mm, 70/18 mm
(stainless steel)

801.00



Socket wrench 2,8 mm for distraction, length 150 mm
(Titanium alloy)

21.00



Screwdriver with rotatable handle, length 180 mm
(titanium handle, blade TiN)

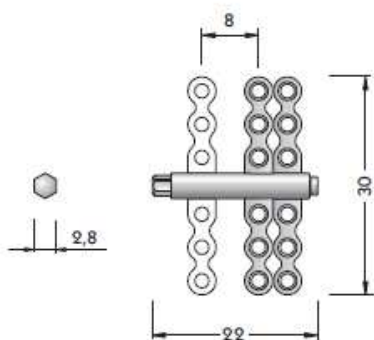
20.00



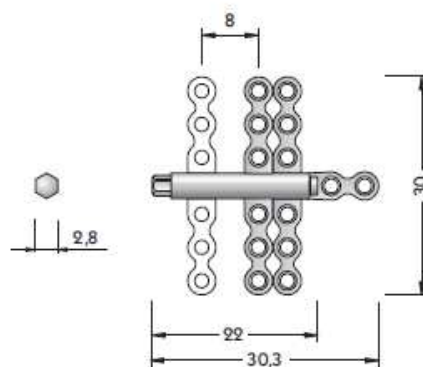
Screwdriver, length 170 mm
(Novotex handle, blade TiN)

Alveolar ridge distraction devices

M1:1

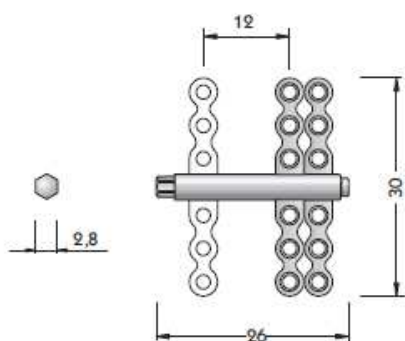


830.00

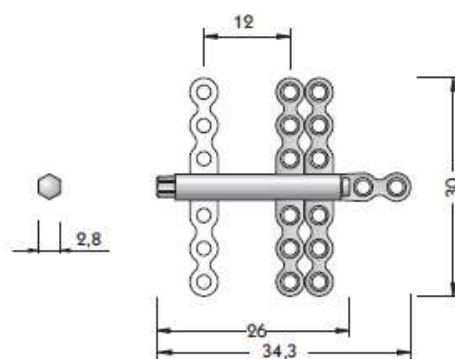


831.00

Distraction up to 8 mm

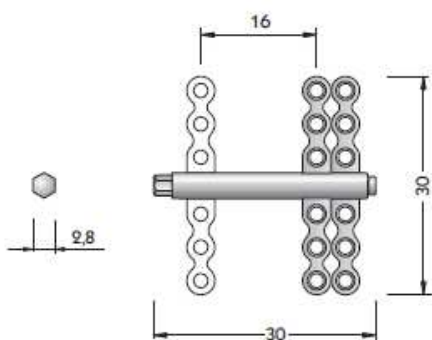


830.01

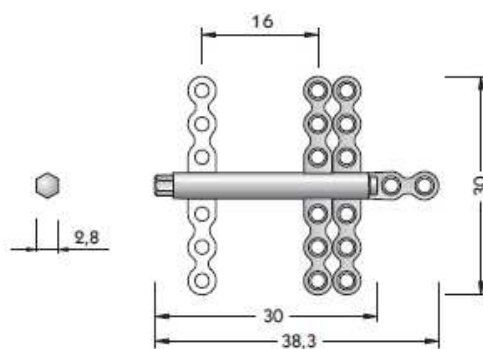


831.01

Distraction up to 12 mm



830.02

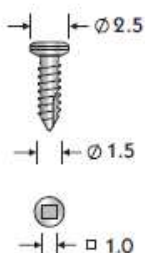


831.02

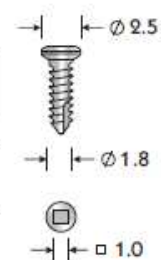
Distraction up to 16 mm

Bone screws

Cat. N	Diameter, mm	Length, mm
501.00	1.5	4
501.01	1.5	5
501.02	1.5	6



Cat. N	Diameter, mm	Length, mm
Emergency		
502.00	1.8	5



Instruments

519.00



Drill \varnothing 1,2 mm, 44/10 mm
(stainless steel)

803.00



Offset screwdriver 2,8 for distraction, length 150 mm
(Titanium alloy)



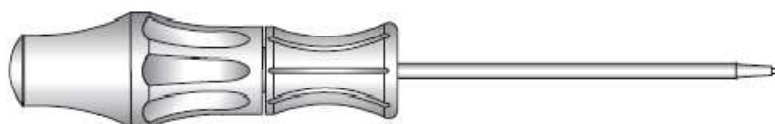
803.01



Socket wrench 2,8 for distraction, length 19 mm
(Titanium alloy)



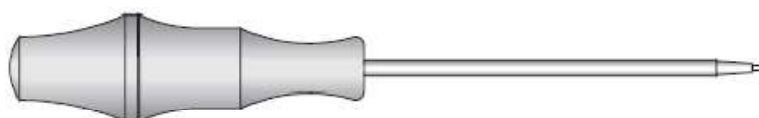
521.00



Screwdriver with rotatable handle, length 180 mm
(titanium handle, blade TiN)



520.00



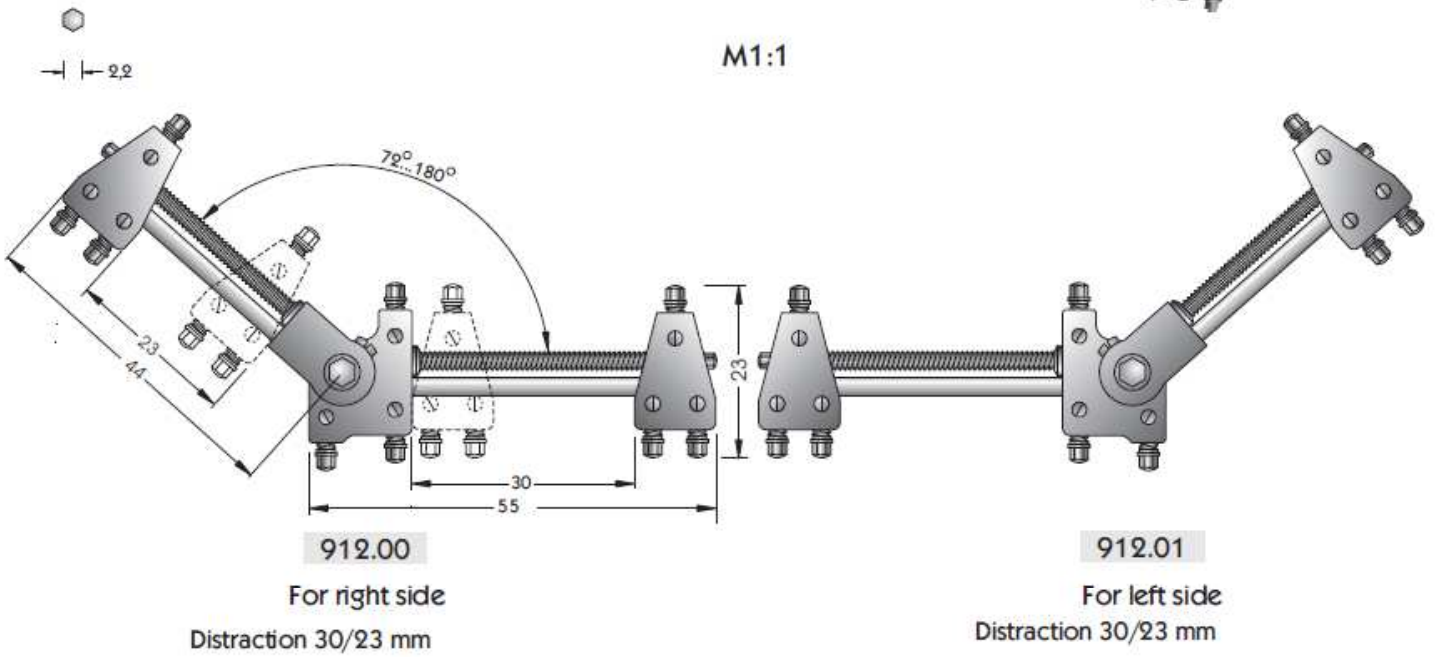
Screwdriver, length 170 mm
(Novotex handle, blade TiN)



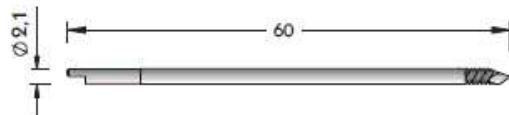
Bidirectional distraction devices



M1:1



910.01



Threaded pin \varnothing 2 mm, 60/6 mm
(Titanium alloy)

Instruments

19.02



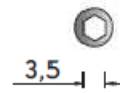
Drill \varnothing 1,6 mm, 70/18 mm
(stainless steel)

108.00



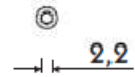
Drill \varnothing 2,1mm, 100/40 mm
(Stainless steel)

903.00



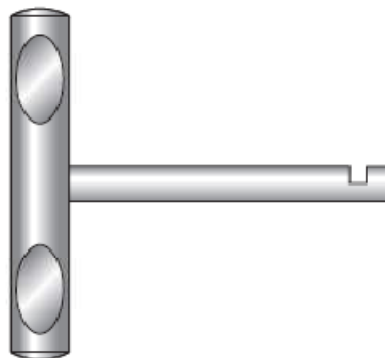
Socket wrench 3,5 mm, length 80 mm
(Titanium alloy)

901.02



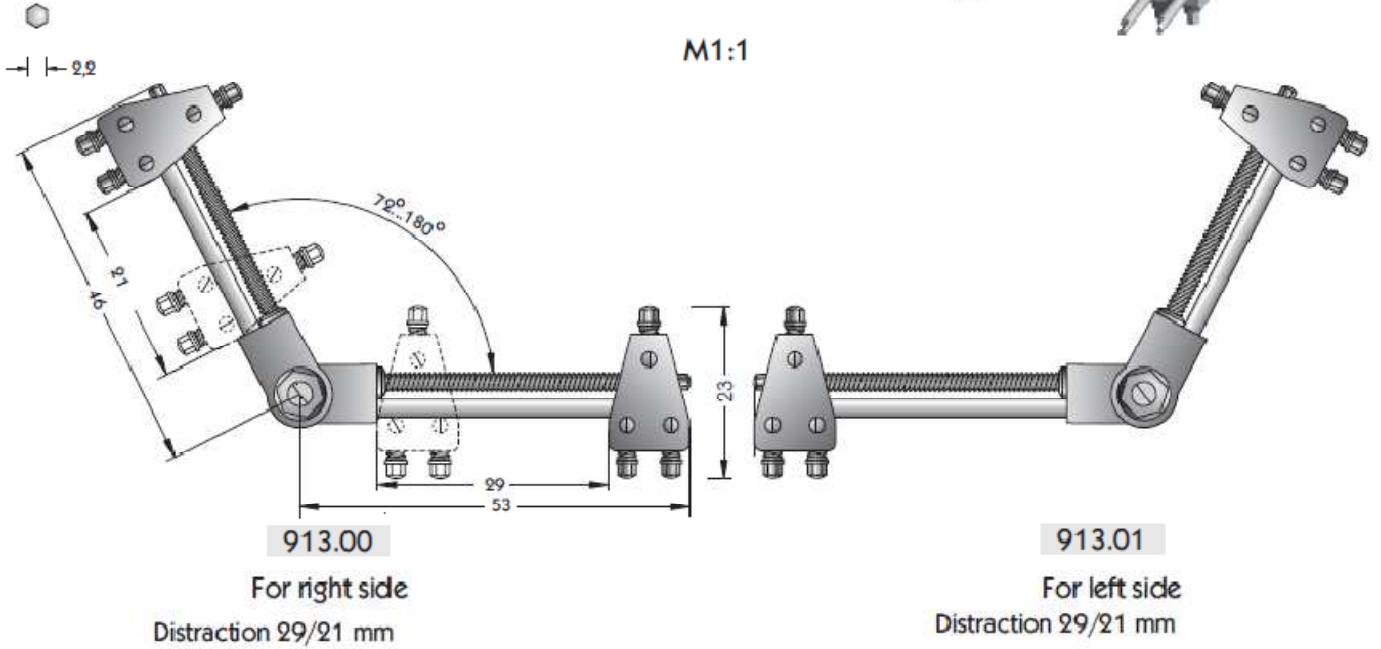
Socket wrench 2,2 mm for distraction,
length 115 mm (Titanium alloy)

904.00

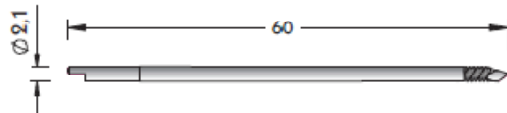


Pin driver for 2 mm pins, length 60 mm
(Titanium alloy)

Bidirectional distraction devices (small-sized)



910.01



Threaded pin \varnothing 2 mm, 60/6 mm
(Titanium alloy)

Instruments

19.02



Drill \varnothing 1,6 mm, 70/18 mm
(stainless steel)

108.00



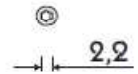
Drill \varnothing 2,1mm, 100/40 mm
(Stainless steel)

712.01



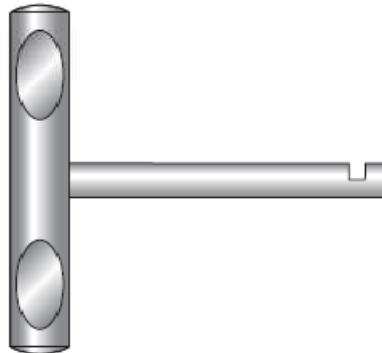
Drill \varnothing 3,0 mm, 80/20 mm
(Stainless steel)

901.02



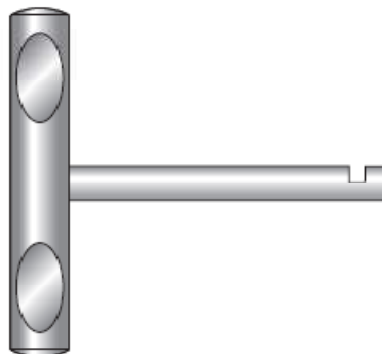
Socket wrench 2,2 mm for distraction,
length 115 mm (Titanium alloy)

904.00



Pin driver for 2 mm pins, length 60 mm
(Titanium alloy)

904.01



Pin driver for 3 mm pins, length 60 mm
(Titanium alloy)

902.00

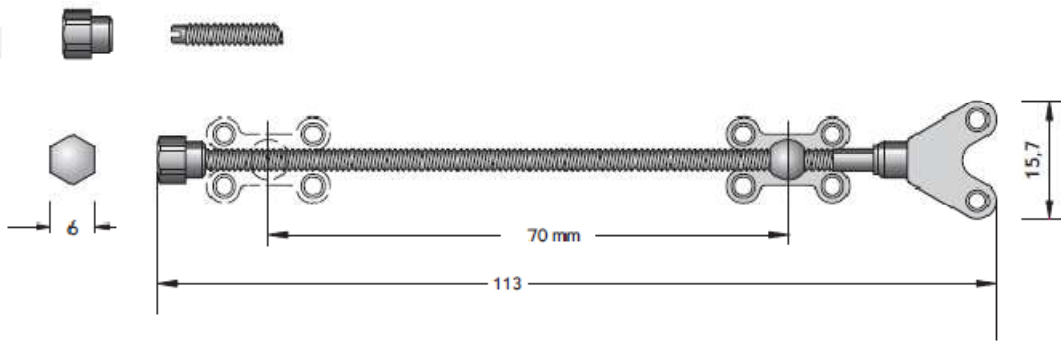


Open wrench 6 mm, length 75 mm
(Titanium alloy)

For maxilla

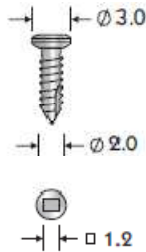
M1:1

840.00

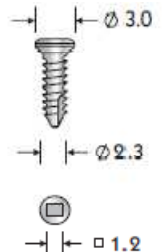


Bone screws

Cat. N	Diameter, mm	Length, mm
01.00	2.0	5.5
01.01	2.0	7
01.02	2.0	9
01.03	2.0	11



Cat. N	Diameter, mm	Length, mm
Emergency		
02.00	2.3	7
02.01	2.3	9



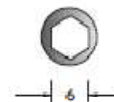
Instruments

19.02



Drill \varnothing 1,6 mm, 70/18 mm
(stainless steel)

901.00



Socket wrench 6 mm for distraction, length 80 mm
(Titanium alloy)

